

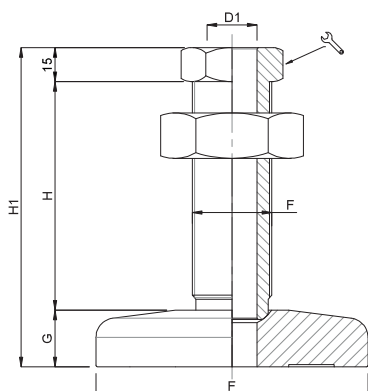
Piede in Acciaio Verniciato, Zincato e Fosfatato


TEKNO-FIX

Martin
Levelling Components

Caratteristiche: BASE E VITE CON FORO PASSANTE, PASSO FINE

Features: BASE AND SCREW WITH THROUGH HOLE, THIN PITCH

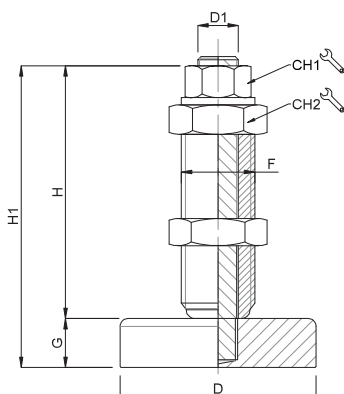


CODICE - CODE	DIMENSIONI PRINCIPALI - MAIN DIMENSIONS							CARICO STATICO STATIC LOAD NEWTON
	standard - standard	D	D1		F	G	H	
12620V	Ø 100	Ø 13	24	M24X2	18	141	174	60000
12620F	Ø 100	Ø 13	24	M24X2	18	141	174	60000
12621V	Ø 100	Ø 13	24	M24X2	18	87	120	60000
12621F	Ø 100	Ø 13	24	M24X2	18	87	120	60000
12617V	Ø 120	Ø 22	41	M35X2	25	100	140	90000
12617F	Ø 120	Ø 22	41	M35X2	25	100	140	90000
12618V	Ø 120	Ø 22	41	M36X2	25	100	140	90000
12618F	Ø 120	Ø 22	41	M36X2	25	100	140	90000
12619V	Ø 120	Ø 22	41	M35X2	25	177	217	90000
12619F	Ø 120	Ø 22	41	M35X2	25	177	217	90000
12623V	Ø 150	Ø 22	41	M35X2	25	100	140	90000
12623F	Ø 150	Ø 22	41	M35X2	25	100	140	90000
12624V	Ø 150	Ø 22	41	M36X2	25	100	140	90000
12624F	Ø 150	Ø 22	41	M36X2	25	100	140	90000
12625V	Ø 150	Ø 22	41	M35X2	25	177	217	90000
12625F	Ø 150	Ø 22	41	M35X2	25	177	217	90000
12626V	Ø 150	Ø 22	41	M36X2	25	177	217	90000
12626F	Ø 150	Ø 22	41	M36X2	25	177	217	90000

Codice + V = finitura verniciata
Codice + F = finitura fosfatata

"V" CODE = surface finishing: yellow painted
"F" CODE = surface finishing: phosphated

TEKNO-FIX CNC



CODICE - CODE	DIMENSIONI PRINCIPALI - MAIN DIMENSIONS							CARICO SCARICO STARTING LOAD NEWTON	
	STANDARD - standard	D	D1	CH1/CH2	F	G	H		H1
12622	Ø 80	Ø 16	24	36	M30x2	20	75	126	70000
12627	Ø 68	Ø 12	19	27	M27x2	25	78	134	65000
12627/60	Ø 68	Ø 12	19	27	M27x2	25	63	113	65000
12627/90	Ø 68	Ø 12	19	27	M27x2	25	93	143	65000
12627/110	Ø 68	Ø 12	19	27	M27x2	25	108	163	65000
12627/130	Ø 68	Ø 12	19	27	M27x2	25	128	183	65000

TEKNO-FIX